

# FREEMAN

841 Joseph E. Lowery Blvd NW  
 Atlanta, GA 30318  
 Ph: 404-253-6494 • Fax: 404-898-0415  
 FreemanAtlantaES@freemanco.com

**DISCOUNT PRICE  
 DEADLINE DATE  
 AUGUST 31, 2007**

**INCLUDE THE FREEMAN METHOD OF  
 PAYMENT FORM WITH YOUR ORDER**

NAME OF SHOW: **The NAB Radio Show / September 26-28, 2007**

COMPANY NAME: \_\_\_\_\_ BOOTH #: \_\_\_\_\_

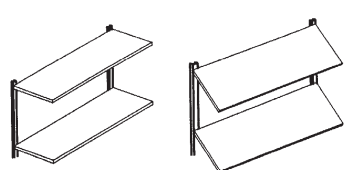

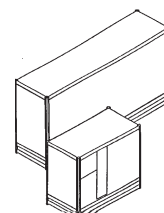
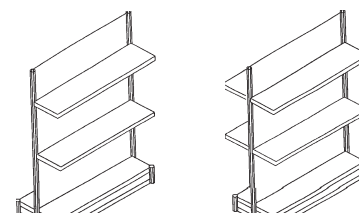
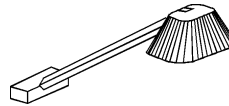
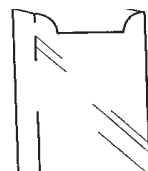
CONTACT NAME: \_\_\_\_\_ PHONE #: \_\_\_\_\_

E-MAIL ADDRESS: \_\_\_\_\_

For Assistance, please call 404-253-6494 to speak with one of our experts.

For fast, easy ordering, go to [www.myfreemanonline.com](http://www.myfreemanonline.com)

## ACCESSORIES FOR RENTAL UNITS

<b>STRAIGHT AND ANGLED SHELVES</b> 	<b>RADIUS COUNTER</b> (Does Not Have Doors) 	<b>COUNTERS &amp; CABINETS</b> 
<b>GONDOLAS</b> 	<b>STEM LIGHT</b> 150 watt quartz (use only on rentals) 	<b>LITERATURE POCKETS</b> (Plexiglass) 

Qty	Part #	Description	Discount Price	Standard Price	Total
<b>LIGHT FIXTURES</b>					
<b>(electrical service &amp; labor to install lights not included)</b>					
___	172514	4' Tracklight (3 lights).....	260.75	339.00	___
___	172512	Stem Light.....	84.00	109.20	___
<b>CABINETS &amp; LOCKS</b>					
Cabinets <input type="checkbox"/> Black Fabric <input type="checkbox"/> Blue Fabric <input type="checkbox"/> Gray Fabric <input type="checkbox"/> White PVC					

___	17304	1M x 1/2M x 30" High .....	286.50	372.45	___
___	17305	1M x 1/2M x 36" High .....	286.50	372.45	___
___	17306	1M x 1/2M x 42" High .....	286.50	372.45	___
___	17307	2M x 1/2M x 30" High .....	462.50	601.25	___
___	17308	2M x 1/2M x 36" High .....	462.50	601.25	___
___	17309	2M x 1/2M x 42" High .....	462.50	601.25	___
___	17312	1M Radius x 1/2M x 30" High....	426.25	554.15	___
___	17310	1M Radius x 1/2M x 36" High....	426.25	554.15	___
___	17311	1M Radius x 1/2M x 42" High....	426.25	554.15	___

(Radius Cabinets do not have doors)

Qty	Part #	Description	Discount Price	Standard Price	Total
<b>GONDOLAS</b>					
Gondolas <input type="checkbox"/> Blue Fabric <input type="checkbox"/> Black Fabric <input type="checkbox"/> Gray Fabric <input type="checkbox"/> Perfboard <input type="checkbox"/> White PVC					
___	1745600	Single Sided 1M x 4' High .....	260.75	339.00	___
___	1745700	Double Sided 1M x 4' High.....	346.75	450.80	___
<b>SLAT WALL</b>					
___	17201	1M Straight Shelf (37" x 12")..	52.50	68.25	___
___	17206	1M Angled Shelf (37" x 12").....	70.00	91.00	___

<b>LITERATURE POCKET</b>					
___	174015	Plexi Lit Pocket - Letter .....	26.75	34.75	___

<b>TOTAL COST</b>					
Sub-Total _____ + Tax (7.25%) _____ = TOTAL _____					